

enquiry sheet cp-mini



für cp-mini mit Verbauung nach abP *

Please fill out everything and mark where applicable!

contact	
company	telephone
contact	e-mail
customer no.	project/commission
<small>(only one balustrade per sheet)</small>	

installation location:	installation
<input type="checkbox"/> indoor <input type="checkbox"/> outdoor	<input type="checkbox"/> according to test certificate (abP) <input type="checkbox"/> not relevant

Produktauswahl

posts

square tube:

<input type="checkbox"/> 9410VA	<input type="checkbox"/> 9411VA	<input type="checkbox"/> 9412VA	<input type="checkbox"/> 9413VA	<input type="checkbox"/> 9414VA
units _____	units _____	units _____	units _____	units _____

rounded tube:

<input type="checkbox"/> 9420VA	<input type="checkbox"/> 9421VA	<input type="checkbox"/> 9422VA	<input type="checkbox"/> 9423VA	<input type="checkbox"/> 9424VA
units _____	units _____	units _____	units _____	units _____

floor plans

<input type="checkbox"/>		<input type="checkbox"/>	
<input type="checkbox"/>		<input type="checkbox"/> attached sketch:	

* Sollte ein Prüfzeugnis ablaufen, wird eine neue Prüfzeugnisnummer vergeben.

enquiry sheet cp-mini

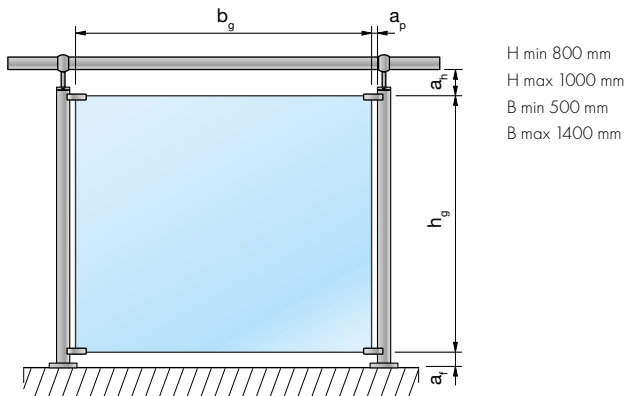


für cp-mini mit Verbauung nach abP *

Please fill out everything and mark where applicable!

distances

	min.	max.	
b_g glass width	500 mm	1400 mm	mm
h_g glass height	800 mm	1000 mm	mm
a_p distance post to glass	24 mm	24 mm	mm
a_h clearance between handrail and upper edge of glass	10 mm	30 mm <small>without edge protection</small>	mm
a_f clearance between floor and lower glass edge	10 mm	30 mm <small>without edge protection</small>	mm



planned glass type and glass dimensions

LSG with HSG 13,52 mm (abP) LSG with HSG 13,52 mm (abP not applicable!) LSG with HSG 13,52 mm (abP not applicable!)

rectangular format parallelogram format

attached sketch:

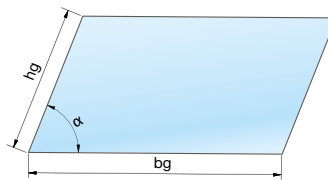
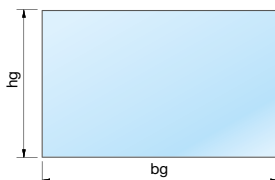
bg x hg = _____ mm

bg x hg = _____ mm

Stück _____

α = _____ °

Stück _____



* If a test certificate expires, a new test certificate number is assigned.